

Rack & Stack

CHECKLIST - RACK & STACK

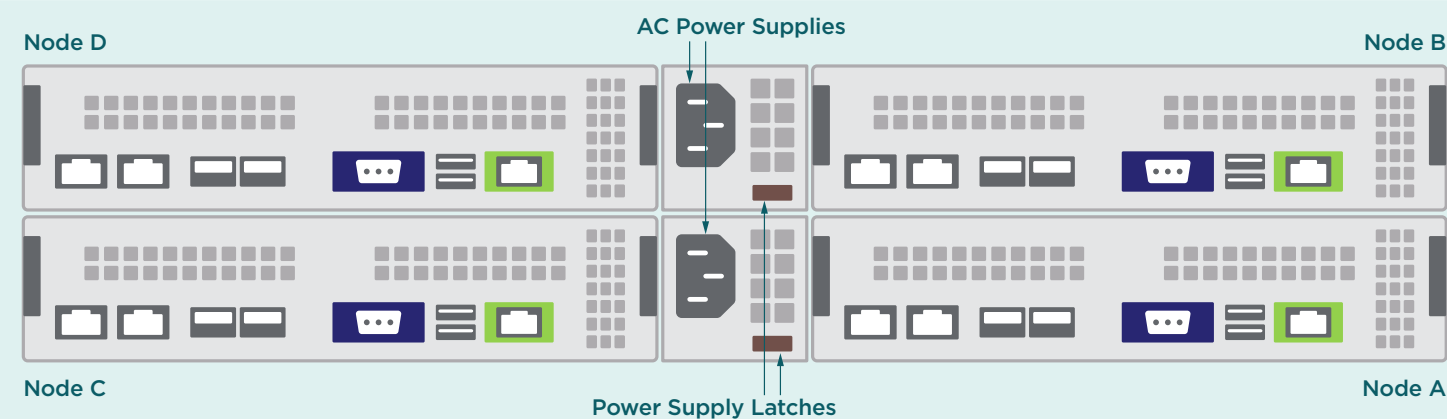
- Appliance(s) are racked, stacked and have power
- Appliance(s) are cabled correctly
- Complete Pre-Installation Worksheet
- Obtain a Support Portal login by sending an email to: support@rubrik.com

SWITCH CONFIGURATION

- The Rubrik cluster network connections must be plugged into access port(s) or native VLAN port(s). Rubrik does not support bootstrap on trunk link port(s).
- The network switch must have Link Layer Discovery Protocol (LLDP) enabled.
 - Rubrik uses multicast DNS (mDNS) for node-to-node discovery and to initiate system set up as well as node adds
- IPv6 support enabled

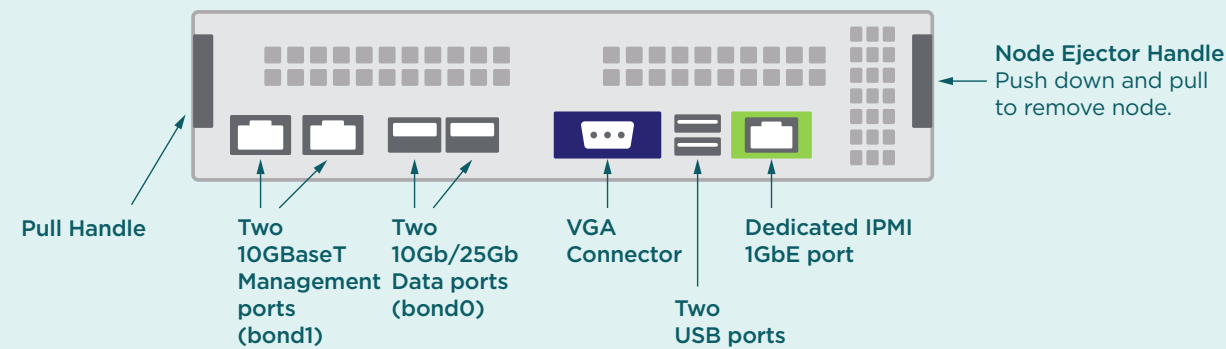
NODE LOCATIONS

The following figure shows the rear of an r6000 series appliance.



NETWORK INTERFACE LOCATIONS

The following figure shows the network interfaces locations on a node.



Bootstrap

CHECKLIST - BOOTSTRAP

- Connect to a node
- Validate all nodes are discoverable
- Run **Bootstrap** on node

Default Password: **rubrik**

Example: [Ansible to Bootstrap Cluster](#)

NODE DISCOVERY

To set up all of the Rubrik nodes in a Rubrik cluster, connect to any Rubrik node.

1. Connect laptop to a node's **bond1** interface
2. On laptop, launch Bonjour Browser
3. Find **.rubrik**
4. Make note of each node name's and IPv6 address

CLUSTER BOOTSTRAP

1. SSH to a node using mDNS hostname
 - Login as admin user: `ssh -6 admin@node_serial_number.local`
 - Alternatively, connect using Google Chrome: `https://node_serial_number.local`
 - Note: mDNS hostname is `node_serial_number.local` where `node_serial_number` is the serial number of the Rubrik node
2. At the Rubrik CLI prompt, type **bootstrap**. Use information in Pre-Installation Worksheet to complete configuration.
3. Once bootstrap has completed, access the Rubrik cluster using any configured node IP address.

Configure Cluster

CHECKLIST - CONFIGURATION

- Register Cluster
- Add Archive Location (optional)
- Create SLA Domain

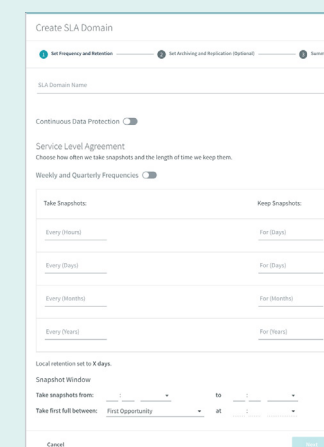
RESOURCES

- [\[VIDEO\] An Introduction to CloudOut](#)
- [\[BLOG\] Rubrik SLA Domain: Settings, Ops, Considerations](#)
- [\[VIDEO\] An Introduction to Rubrik SLA Domains](#)

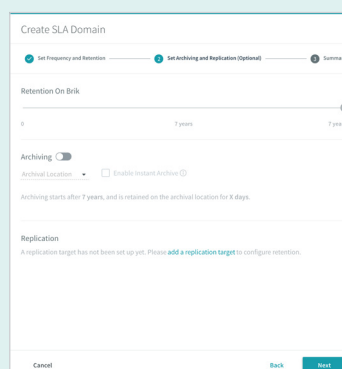
CREATE SLA DOMAIN

The Rubrik cluster is equipped with default protection policies called SLA Domains.

1. On the left-side menu of the Rubrik CDM web UI, select *SLA Domains > Local Domains*.
2. Click the blue + icon (plus sign).
3. Set Frequency and Retention



4. Set Archiving and Replication (Optional)



REGISTER CLUSTER

Use the online method to register a Rubrik cluster.

1. Click the gear icon on the top bar of the Rubrik CDM web UI. The gear menu appears.
2. Click Register Cluster.
3. Complete details in Register Cluster dialog box.
4. After setting up a new Rubrik cluster, or upgrading a previously unregistered Rubrik cluster, register the
5. Rubrik cluster with the Rubrik Support portal.

ADD ARCHIVE LOCATION

An SLA Domain can include an archival policy that instructs where Rubrik should copy data for long-term retention.

The Rubrik cluster supports the following archival location types:

- Amazon S3
- Amazon Glacier
- Google Cloud Platform
- Azure
- Object Store
- NFS
- Tape

Once archive resources are configured, add the gear icon > *Archival Locations* > blue + icon (plus sign).

Register with Zero Trust Data Protection

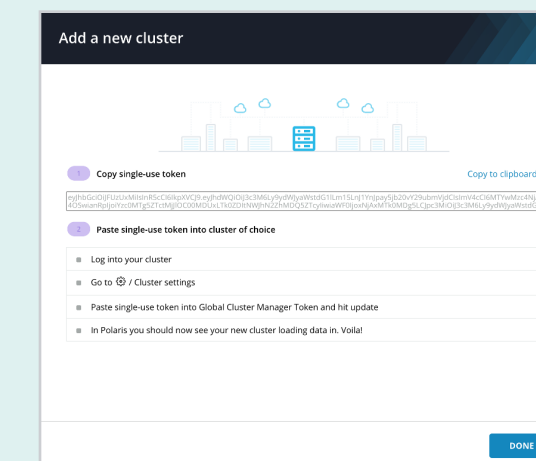
CHECKLIST - RUBRIK ZERO TRUST DATA PROTECTION

- Log into Rubrik
- Create single-use registration token
- Log into CDM
- Paste in Global Cluster Manager Token

REGISTER CLUSTER

A single use token is used to register each Rubrik cluster with Zero Trust Data Protection.

1. In Rubrik UI, navigate to *Clusters*. Press blue + icon (plus sign).



2. Copy single-use registration token.
3. In CDM UI, navigate to gear icon > *Cluster Settings*
4. Paste single-use token into Global Cluster Manager Token and hit **Update**.

NAVIGATE TO RUBRIK

Rubrik Zero Trust Data Protection delivers centralized management for your global, distributed Rubrik environment.

- Use the instructions in the email sent by Rubrik to set up the initial account for the Rubrik domain.
- The URL should resemble: `https://[organization].my.rubrik.com/`

RESOURCES

- [\[VIDEO\] Multi-Cluster Management with Rubrik Zero Trust Data Protection](#)

VERIFY REGISTRATION TO ZERO TRUST DATA PROTECTION

Ensure that the cluster begins synchronizing to Rubrik Zero Trust Data Protection.

1. In Rubrik UI, return to *Clusters*.
2. Ensure the newly added cluster is listed.

